



Parts and Service Center
777 South Street
Newburgh NY 12550-0606
845/565/6623 - 845/565/8894

OF2045 / OF2045W FLOOR MACHINE SAFETY & MAINTENANCE MANUAL W/PARTS LIST

Units are intended for commercial use.



READ & FOLLOW ALL INSTRUCTIONS WARNINGS & CAUTIONS BEFORE USING THIS FLOOR MACHINE

This floor machine will afford you many years of trouble free operating satisfaction if it is given proper care. All parts have passed rigid quality control standards before being assembled to produce the finished product. Prior to packaging, the units are again inspected for assurance of flawless operation.

This floor machine was protectively packed to prevent damage in shipment. We recommend that upon delivery, remove the unit from its carton and carefully inspect it for any possible damage in transit. A warranty card is affixed to the handle. It is your responsibility to fill it out and send it to our office to register your purchase and start your warranty. Failure to send us this card in one week upon receipt of the machine may void the warranty.

If damage is discovered, immediately notify the transportation company that delivered your floor machine. As a shipper, we are unable to act upon any claim for concealed damage. You must originate any claim within 5 days of delivery.

These instructions are for your protection and information. **PLEASE READ CAREFULLY!** Failure to follow these precautions could result in injury or discomfort.

Treat this floor machine as you would any other high grade precision made product. Throwing, dropping, unreasonable bumping across thresholds and other misuse may result in a damaged unit and invalidate the warranty.

**PLEASE READ
CAREFULLY
BEFORE
OPERATING**

SAVE THESE INSTRUCTIONS

Page 1

IMPORTANT SAFETY INSTRUCTIONS



WARNING

To reduce the risk of fire, electric shock or injury;
Read all instructions before using this floor machine.

- 1) **DO NOT** leave the floor machine plugged in when not in use. Unplug from the outlet when not in use and/or before servicing.
 - 2) Electric shock could occur if exposed to rain. Store indoors.
 - 3) This is **NOT** a toy. Close attention is necessary when used around or near children.
 - 4) Use only as described in this manual. Use only manufacturer's recommended attachments.
 - 5) **DO NOT** use with damaged cord plug. If the floor machine is not working as it should because it has been dropped, damaged, left outdoors, or dropped into water, contact the manufacturer or authorized service center.
 - 6) **DO NOT** pull or carry by cord, use power cord as a handle, close a door on cord, or pull cord around sharp edges or corners. **DO NOT** run floor machine over the cord. Keep cord away from heated surfaces.
 - 7) **DO NOT** handle the plug or operate with wet hands.
 - 8) **DO NOT** put any object into motor openings.
 - 9) **DO NOT** unplug by pulling on cord. To unplug, grasp plug, not the power cord.
 - 10) Keep hair, loose clothing, fingers and all parts of body away from moving parts.
 - 11) **DO NOT** use an optional vacuum without the manufacturer's filters in place.
 - 12) **DO NOT** operate where anesthetics and oxygen are used.
 - 13) **DO NOT** use around flammable or combustible liquids such as gasoline or use in areas where they may be present.
 - 14) **DO NOT** use an extension cord.
 - 15) Replace damaged or worn parts immediately with genuine Grind 'N Go equipment parts to maintain safety and protect your limited warranty.
 - 16) **Floor sanding can result in an explosive mixture of fine dust and air. Use a floor sanding machine only in a well ventilated area.**
 - 17) **DO NOT to leave sawdust in the filter bag when sander is not in use, this is a fire hazard.**
- This floor machine must be connected to a properly grounded outlet only. (See grounding method below.)**

GROUNDING INSTRUCTIONS



DANGER:

Improper use of the grounding plug can result in a risk of electrical shock.

This floor machine must be grounded. If it should malfunction or breakdown, grounding provides a path of least resistance for electrical current to reduce the risk of electric shock. This machine is equipped with a cord having an equipment-grounded plug. The plug must be inserted into an appropriate outlet that is properly installed and

grounded in accordance with all local codes and ordinances

If repair or replacement of the cord or plug is necessary, **DO NOT** connect the grounding wire to either flat blade terminal. The wire with insulation having an outer surface that is green with or without yellow stripes is the grounding wire.

WARNING:

Improper connection of the equipment-grounding conductor can result in a risk of electrical shock. Check with a qualified electrician or service person if you are in doubt as to whether the outlet is properly grounded. **DO NOT** modify the plug provided with the machine. If it will not fit the outlet, have a proper outlet installed by a qualified electrician.

NOTE: In Canada, the use of a temporary adaptor is not permitted by the Canadian Electrical Code.



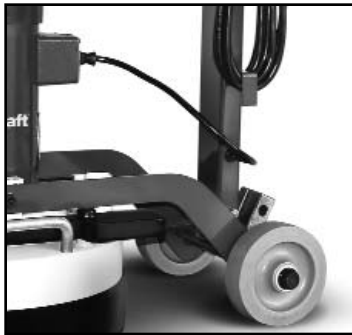
ATTACHMENTS INSTALLATION & CHANGING



CAUTION:

When installing or changing the accessories, turn **OFF** the sander and disconnect the power cord from the electrical outlet.

When installing or removing attachments, always wear protective gloves and start at the 12 o'clock position.



Before Installation or Changing of Attachments:

- 1) Unplug the sander from the wall outlet.
- 2) Ensure handle is in the storage position (straight up) and locked in place with the quick release pin.
- 3) Tilt machine back by bracing it with your foot until the handle is laying on the floor and the three heads are fully exposed.

Note: It is recommended that a towel or pad is placed under the machine to protect the floor.



Changing and Installation the Attachments

- 1) Position the first attachment head at 12 o'clock.
- 2) Using both hands, reach beneath the bottom side the attachment and pull up towards yourself to free it from the sander.
- 3) Select the attachment required for the job, and line up the holes on the attachment with the four metal pins protruding from each of the three heads.

4) Push the attachments on by hand and if necessary, carefully tap it into place with a rubber mallet.

5) Repeat steps 1 thru 4 with the remaining 2 attachments.

6) Carefully raise the handle, supporting the axle with your foot to control the head of the machine as it is placed on the floor.

7) Since the attachments are different heights you may need to adjust the dust skirt to make sure it is level with the attachments. This will ensure clean and virtually dust-free operation.

9) To adjust skirt, align the skirt with the center of the machine and wrap it around.

10) Move the handle back to the operating position and lock in place with the quick release pin.

FLOOR MACHINE OPERATING INSTRUCTIONS

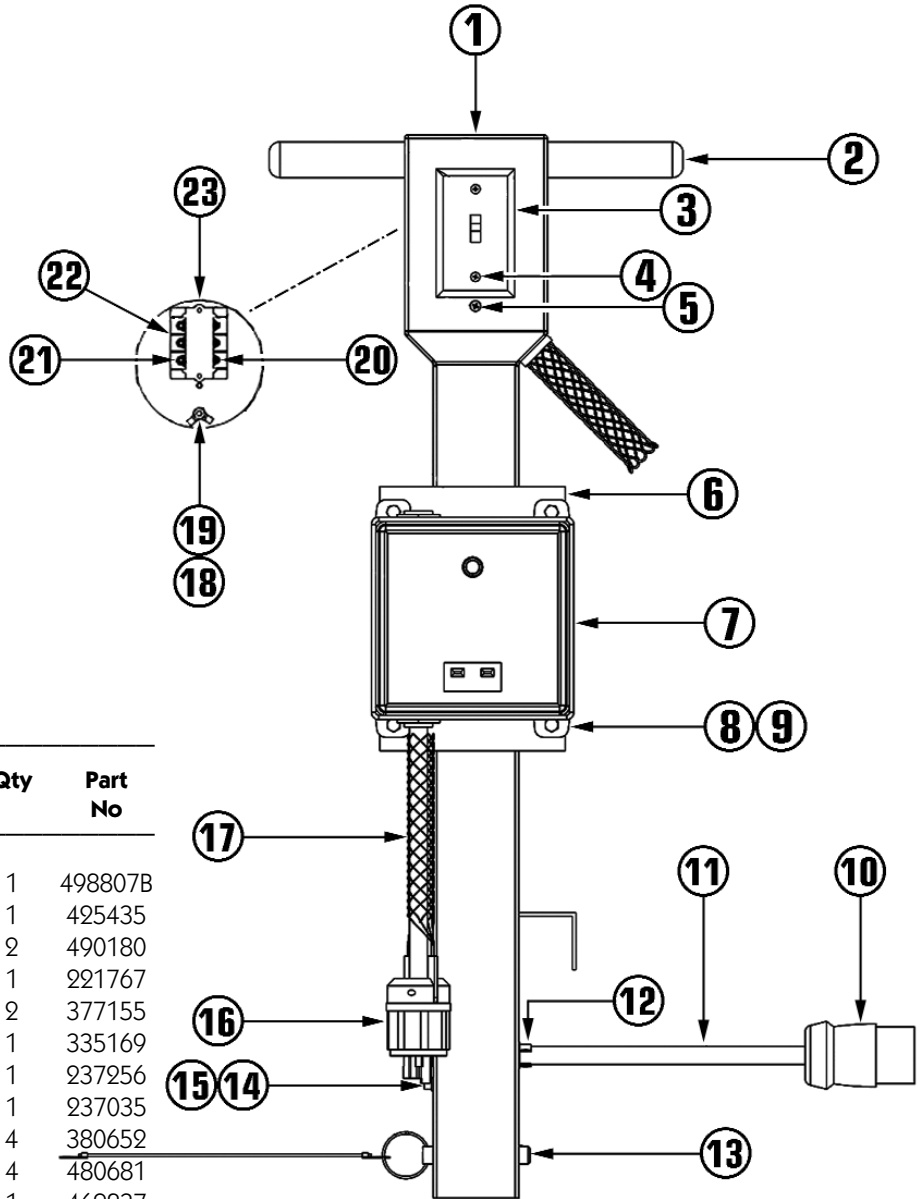
- 1) Clear the floor of any materials or objects.
- 2) Ensure handle is in the storage position (straight up) and locked in place with the quick release pin.
- 3) Tilt the machine back until the handle is laying on the floor and the three heads are fully exposed.
- 4) Select the accessory set required for the job.
- 5) Snap the accessory set onto the four metal pins protruding from each of the three heads.
- 6) To replace, pull off the current accessory set and replace with the new accessory set.
- 7) Carefully raise the handle, supporting the axle with your foot to control the machine head as it is placed on the floor.
- 8) Shift handle to the operating position and lock in place with the quick release pin.

CAUTION:

DO NOT attempt to operate this unit if the machine is not fully assembled.
When servicing or replacing an accessories turn **OFF** the machine and disconnect from the power source.
Prior to operating the machine, tilt machine back on transport wheels, turn **ON** the machine and carefully lower the machine onto the working surface.

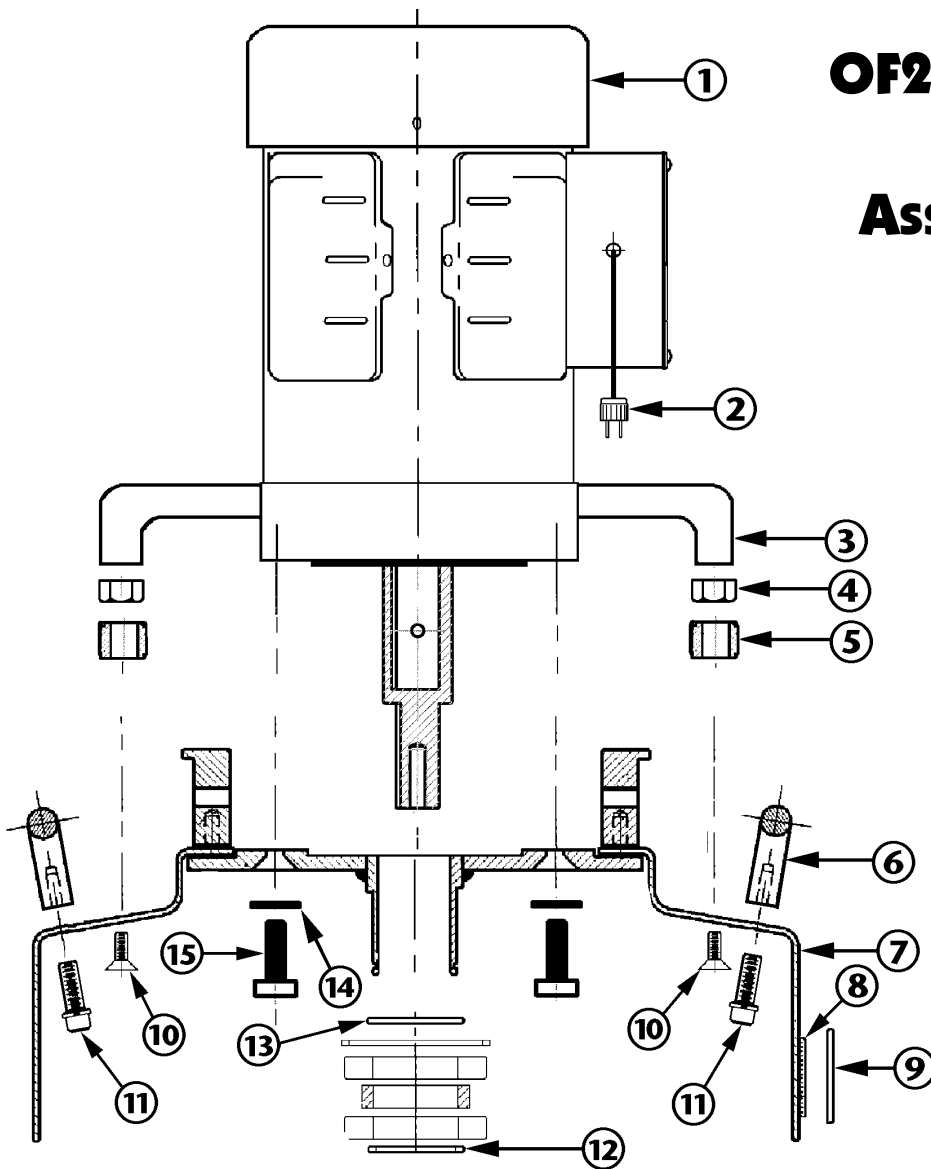


OF2045/OF2045W HANDLE & BASE ASSEMBLY DRAWING & PARTS LIST



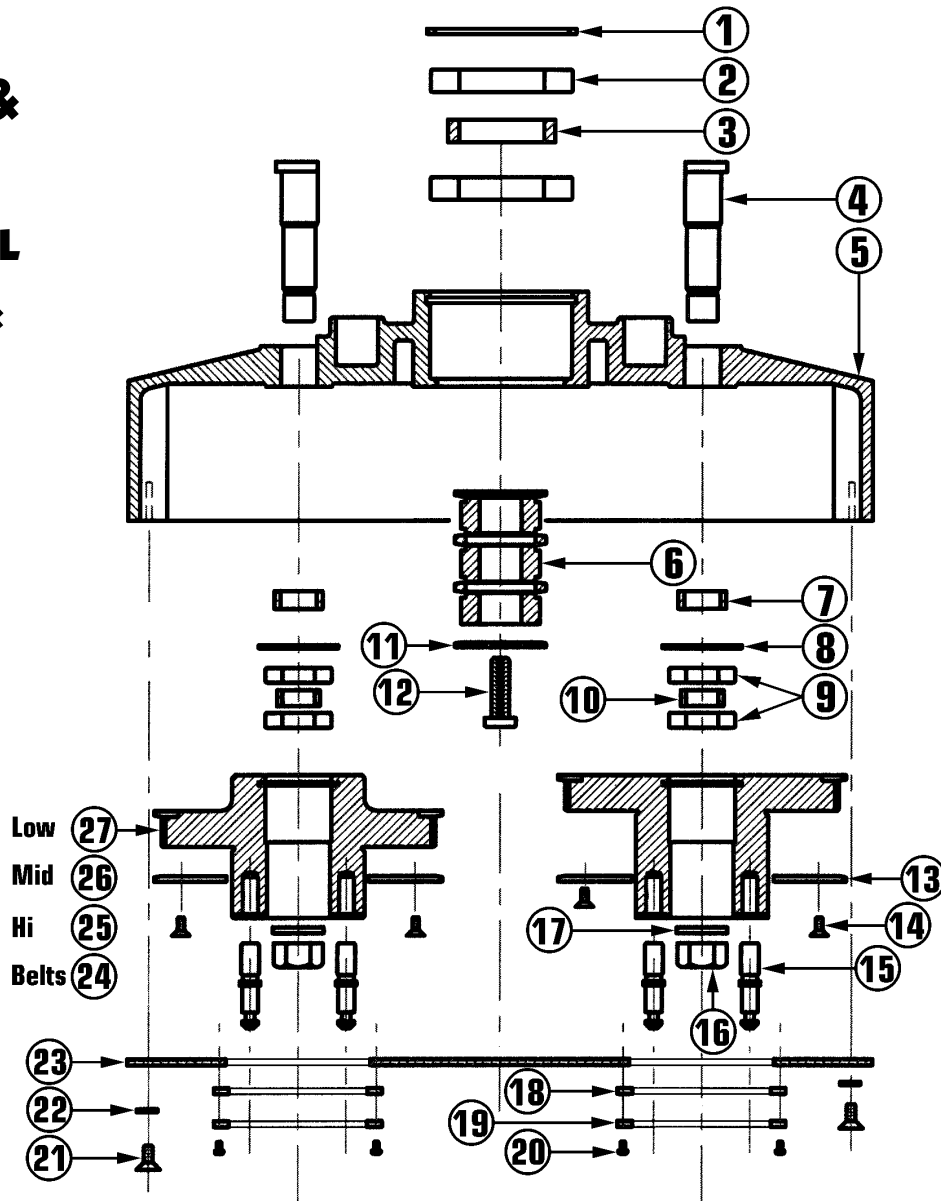
Ref No	Part Description	Qty	Part No
1a	Handle Assembly - Dry	1	498807B
1b	Handle Assembly - Wet	1	425435
2	Handle Grip	2	490180
3	Cover Plate	1	221767
4	#6-32 x 0.37 Philp Screw	2	377155
5	#10-24 x 1.00 Pan Head Phil Screw	1	335169
6	GFCI Mounting Plate	1	237256
7	480V, 30A, 3PH GFCI	1	237035
8	.25"ID x .75"OD x .06" THK Washer	4	380652
9	.25-20 x 1.00" Hex Bolt	4	480681
10	480V, 30A, 3PH Female Plug	1	462837
11	Handle Cord	2	233560
12	Romex Connector	1	497657
13	Speed Pin Assy.	1	456896
14	.25" Lockwasher	1	342858
15	.25-20 x .50 Screw	1	413291
16	480V, 30A, 3PH Male Twist Loc Plug	1	462829
17	Grip Cable	1	469661
18	#10 Insul Ring Terminal	2	429015
19	#10-24 Hex Nut w/Ext Lockwasher	3	331201
20	#6 Insul Spade Terminal	3	490245
21	#10 Insul Spade Terminal	3	494747
22	Toggle Switch	1	479187
23	Back Plate	1	493481

OF2045/OF2045W OUTER BOWL ASSEMBLY DRAWING & PARTS LIST



Ref No	Part Description	Qty	Part No
1	3 HP Motor, 3450 RPM's	1	495247
2	14/3 Pigtail	1	495786
3	28# Weight (Optional)	1	492442
4	Nylock Nut	3	380784
5	Weight Knob	3	491632
6	Bowl Handle	2	490385
7a	20" Outer Bowl Assembly - Dry	1	496464
7b	20" Outer Bowl Assembly - Wet	1	496464A
8	Velcro Strip	1	492019
9	Rubber Dust Skirt	1	491926
10	1/4-20 X .75" Screw	3	342831
11	1/4-20 X 5/8" Screw	4	457310
12	1 3/4" External Snap Ring	1	491292
13	Felt Washer	1	450073
14	.37 Washer	4	368849
15	.38-16 X 1" Screw	4	368830

OF-2045 & OF2045W INNER BOWL DRAWING & PARTS LIST



Ref No	Part Description	Qty	Part No	Ref No	Part Description	Qty	Part No
1	27/8 Internal Snap Ring	1	490598	14	#10-32 x .5 Phillips Screw	9	377201
2	Bearing (6009-2RS)	2	490563	15	Accessory Pins	12	490458
3	Large Bearing Spacer	1	490571	16	.62-11 Nylock Nut	3	490628
4a	Outer Pulley Shaft - Dry	3	490547	17	Washer	3	490636
4b	Outer Pulley Shaft - Wet	3	493821	18	Felt Gasket	3	491373
5a	20" Inner Bowl - Dry	1	491810	19	Aluminum Ring	3	490652
5b	20" Inner Bowl - Wet	1	494275	20	Tubular Rivet	12	394068
6	Center Cog Pulley	1	499293	21	.25-20 x .5 Phillips Screw	9	331740
7	Shaft Spacer	3	490555	22	#14, .43" OD Lockwasher	9	491012
8	1 1/2 Internal Snap Ring	3	490466	23	Aluminum Cover Plate	1	491888
9	Ball Bearing w/Seals	6	464910	24	Belt (240-L050)	3	499323
10	Small Bearing Spacer	3	490474	25	48 High Tooth Pulley	1	490512
11	Flange	1	490989	26	48 Middle Tooth Pulley	1	490490
12	Low Profile Bolt	1	490997	27	48 Low Tooth Pulley	1	490415
13	3" ID x 6" OD Ring	3	222828	NS	1.5" Swivel Hose Connector	1	349445



WARNING

IF THIS FLOOR MACHINE IS USED FOR SANDING, DO NOT LEAVE SAWDUST IN THE FILTER BAG WHEN THE MACHINE IS NOT IN USE. THIS IS A FIRE HAZARD.

VACUUM OPERATING INSTRUCTIONS

The DIY-20PRO can be used with a variety of vacuums to pick up wood and concrete dust.

Operation of the vacuum cleaner must be in accordance with specific manufacturer's safety & operation instructions.

Recommend separate dedicated power source for machine and vacuum. The vacuum hose must be attached to the 1 1/2" hose barb on the outer bowl of the floor machine.

During operation, periodically check the vacuum. When the cloth or paper filter bag is 3/4 full or dust is forming around the bottom of the machine, it **MUST** be emptied.



1) Unplug the motor power cord from the handle.

2) Pull the speed pin from the handle and remove the handle. Carefully set handle aside.

3) Turn sander chassis upside down on a table resting on the motor cover.

4) Remove pads/attachments (see page 3 for instructions.)

5) Remove the 9 Flat head screws and beveled washers from cover plate.

6) Remove the cover plate from inner bowl.

7) Vacuum up the dust and debris from inner bowl.

8) Remove the old belt or belts by pulling upwards and roll off using a screwdriver while turning the pulley.

9) Roll new belt or belts back on the pulley.

10) Reassemble the machine reversing the above steps.

BELT CHANGING INSTRUCTIONS



CAUTION:

This machine is designed for surfacing concrete and sanding wood floors. All operators and maintenance personnel should read and understand the safety procedures with this floor machine.

GENERAL SAFETY PRECAUTIONS

1) All personnel in the immediate work area must wear safety glasses with side shields whenever the machine is in operation. Protective clothing is also recommended. Long sleeve shirts and safety shoes should be worn. Avoid wearing loose clothing.

2) DO NOT attempt to service or replace attachments while the machine is running or connected to a power source.

3) DO NOT operate this floor machine in the rain or in areas where liquids could enter the electrical components of the machine.

4) Keep the power cord away from the revolving heads to avoid damage.

5) Check the main power supply to assure that you are connecting the equipment to a proper dedicated service.

1) Unplug the machine.

2) After each use, wipe off machine with a clean cloth.

3) Empty the vacuum you are using in accordance with specific manufacturer's safety & operation instructions.

4) Check for loose parts and fasteners.

5) Check the power cord for any breaks in the wire. Breaks will most likely occur near the plug or switch. Repair or replace any breaks immediately.

MACHINE MAINTENANCE

TROUBLE SHOOTING GUIDE

PROBLEM: Motor will not run.

CAUSE

- 1) Defective switch.
- 2) Defective power cord or wiring.
- 3) Defective motor.
- 4) Blown fuse or tripped circuit breaker at wall panel.
- 5) Power cord not plugged in properly or damaged.

SOLUTION

- 1) Check switch, replace if defective.
- 2) Check and replace if defective.
- 3) Have motor checked by an authorized service center.
- 4) Replace fuse or reset circuit breaker. If this does not correct the problem, have the sander checked by an authorized service center.
- 5) Plug in power cord properly or replace power cord if damaged.

PROBLEM: Machine bogs down and runs slow.

CAUSE

- 1) Defective capacitor or switch.
- 2) Circuit may be overloaded with more than one appliance.
- 3) Low line voltage in building.

SOLUTION

- 1) Have machine checked by an authorized service center.
- 2) Plug floor machine into a dedicated power outlet. If the problem still exists there could be a short. Have the floor machine checked by an authorized service center.
- 3) If wiring is old in the building have voltage checked by the power company.

PROBLEM: Motor runs, driver will not rotate.

CAUSE

- 1) Belts are broken.

SOLUTION

- 1) Contact the manufacturer or authorized service center.

PROBLEM: Noisy machine or vibration.

CAUSE

- 1) Defective motor.
- 2) Attachment is not level or securely attached.

SOLUTION

- 1) Contact the manufacturer or authorized service center.
- 2) Level attachment and make sure all fasteners are secure.

OF-2045 WARRANTY

We guarantee to the original purchaser this 20" floor machine against defects in material and workmanship for a period of 1 year from the date of delivery. Please note the following conditions pertaining to this warranty.

- 1) Applies only to the original owner and is not transferable.
- 2) Machine will not have been dismantled or tampered with in any way.
- 3) Covered components proven defective will be repaired or replaced at no charge. Covered components include motors, bearings, belts and switches.

4) This warranty does not apply to any repair arising by reason of misuse, neglect, or abuse, or to proprietary parts.

5) This Warranty is in lieu of and excludes every condition or warranty not herein expressly set out and all liability for any form of consequential loss or damage is hereby expressly excluded.

6) This Warranty is limited to repair or replacement of covered components and reasonable labor expenses.

WARRANTY REGISTRATION

A warranty card is affixed to the handle. It is your responsibility to fill it out and send it to our office to register your purchase and start your warranty. Failure to send us this card in one week upon receipt of the machine may void the warranty.

Please send the card to our attention:

Parts and Service Center
777 South Street
Newburgh NY 12550